

DE STEINEL Vertrieb GmbH
Dieselstraße 80-84 · 33442 Herzebrock-Clarholz
Tel.: +49/5245/448-188
www.steinel.de

AT Steinel Austria GmbH
Hirschtettner Strasse 19/A/2/2 · AT-1220 Wien
Tel.: +43/1/2023470 · info@steinel.at

CH PUAG AG
Oberebenstrasse 51 · CH-5620 Bremgarten
Tel.: +41/56/6488888 · info@puag.ch

GB STEINEL U.K. LTD.
25, Manasty Road · Axis Park · Orton Southgate
GB-Peterborough Cambs PE2 6UP
Tel.: +44/1733/366-700 · steinel@steinel.co.uk

IE Socket Tool Company Ltd
Unit 714 Northwest Business Park
Kilshane Drive Ballyoolin · Dublin 15
Tel.: 00353 1 8809120 · info@sockettool.ie

FR STEINEL FRANCE SAS
ACTICENTRE - CRT 2
Rue des Famards - Bât. M - Lot 3
FR-69818 Lessquin Cedex
Tel.: +33/3/20 30 34 00 · info@steinelfrance.com

NL Van Spijk B.V.
Postbus 2 · 5688 HP OIRSCHOT
De Schepers 402 · 5688 HP OIRSCHOT
Tel.: +31 499 571810
info@vanspijk.nl · www.vanspijk.nl

BE VSA Belgium
Hagelberg 29 · BE-2440 Geel
Tel.: +32/14/256050
info@vsabelgium.be · www.vsabelgium.be

LU Minusines S.A.
8, rue de Hogenberg · LU-1022 Luxembourg
Tél.: (00 352) 49 58 58 1 · www.minusines.lu

ES SAET-94 S.L.
C/ Trepadella, nº 10 · Pol. Ind. Castellbisbal Sud
ES-08755 Castellbisbal (Barcelona)
Tel.: +34/93/772 28 49 · saet94@saet94.com

IT STEINEL Italia S.r.l.
Largo Donegani 2 · IT-20121 Milano
Tel.: +39/02/96457231
info@steinel.it · www.steinel.it

PT F.Fonseca S.A.
Rua Joao Francisco do Casal 87/89 Esqueira
3800-266 Aveiro · Portugal
Tel.: +351 234 303 900
ffonseca@ffonseca.com · www.ffonseca.com

SE KARL H STRÖM AB
Verktysvägen 4 · SE-553 02 Jönköping
Tel.: +46 36 550 33 00 · info@khs.se · www.khs.se

DK Roliba A/S
Hvidkærvej 52 · DK-5250 Odense SV
Tel.: +45 6593 0357 · www.roliba.dk

FI Oy Hedtec Ab
Lauttasarentie 50 · FI-00200 Helsinki
Puh.: +358/207 638 000
valaistus@hedtec.fi · www.hedtec.fi/valaistus

NO Vilan AS
Olaf Helsetsvæi 8 · NO-0694 Oslo
Tel.: +47/22725000
post@vilan.no · www.vilan.no

GR PANOS Lingonis + Sons O. E.
Aristofanus 8 Str. · GR-10564 Athens
Tel.: +30/210/3212021 · lygonis@otenet.gr

TR SAOS Teknoloji Elektrik Sanayi ve Ticaret Limited Şirketi
Hallı Rifat Paşa mahallesi Yüzerhavuz Sokak
PERPA Ticaret Merkezi A Blok Kat.5.No.313 · Şişli / İSTANBUL
Tel.: +90 212 220 09 20
iletisim@saosteknoloji.com.tr · www.saosteknoloji.com.tr

CZ NECO SK, A.S.
Ružová ul. 111 · SK-01901 Ilava
Tel.: +421/42/4 45 67 10
neco@neco.sk · www.neco.sk

PL „Lk” Spółka z ograniczoną odpowiedzialnością sp.ka.
Byków, ul. Wrocławska 43 · PL-55-095 Mirków
Tel.: +48 71 3980818
handlowy@langelukaszuk.pl · www.langelukaszuk.pl

HU DINOCOOP Kft
Radvány u. 24 · HU-1118 Budapest
Tel.: +36/1/3193064 · dinocoop@dinocoop.hu

LT KVARCAS
Neries krantine 32 · LT-48463, Kaunas
Tel.: +370/37/408030 · info@kvarcas.lt

EE Fortronic AS
Tööstuse tee 10 · EE-61715 Tõravandi
Ülenurme vald, Tartumaa
Tel.: +372/7/475208
info@fortronic.ee · www.fortronic.ee

SI ELEKTRO – PROJEKT PLUS D.O.O.
Suha pri Predosljah 12 SI-4000 Kranj
PE GRENC 2 · 4220 Skofja Loka
Tel.: 00386-4-2521645 · GSM: 00386-40-856555
info@elektroprojektplus.si · www.priporocam.si

SK NECO SK, A.S.
Ružová ul. 111 · SK-01901 Ilava
Tel.: +421/42/4 45 67 10
neco@neco.sk · www.neco.sk

RO Steinel Distribution SRL
505400 Rasnov, jud. Brasov · Str. Campului, nr.1
FSR Hala Scularie Birourile 4-7
Tel.: +40(0)268 53 00 00 · www.steinel.ro

HR Daljinsko upravljanje d.o.o.
Bedricha Smetane 10 · HR-10000 Zagreb
t/ 00385 1 388 66 77
daljinsko-upravljanje@inet.hr · www.daljinsko-upravljanje.hr

LV Ambergs SIA
Brīvības gatve 195-16 · LV-1039 Rīga
Tel.: 00371 67550740 · www.ambergs.lv

BG TASHEV-ГАЛВИНГ ООД
Бул. Климент Охридски № 68
1756 София, България
Тел.: +359 2 700 45 45 4
info@tashEV-galving.com · www.tashEV-galving.com

RU REAL.Electro
109029, Москва · ул. Средняя Калитниковская, д.26/27
Tel.: +7(495) 230 31 32
info@steinel-rusland.ru · www.steinel-rusland.ru

CN STEINEL China
Fm. 25A Huadu Mansion
No. 828-838 Zhongyong Road
200122 Shanghai, PR China
Tel.: +86 21 5820 4486 · Fax: +86 21 5820 4212
www.steinel.cn · info@steinel.cn

110061631 06/2018_M Technische Änderungen vorbehalten. / Subject to technical modification without notice.

STEINEL®
PROFESSIONAL

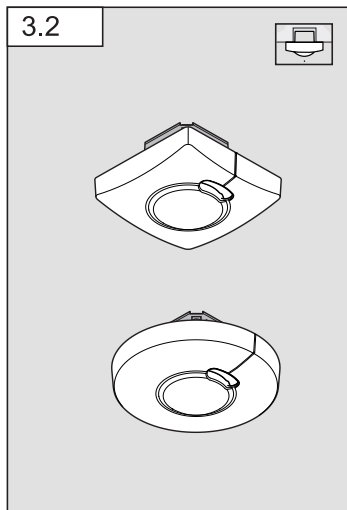
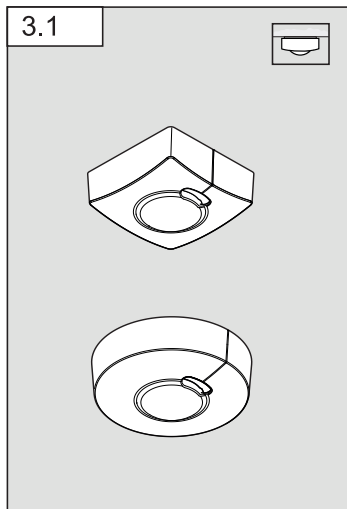


DALI-2 Input device

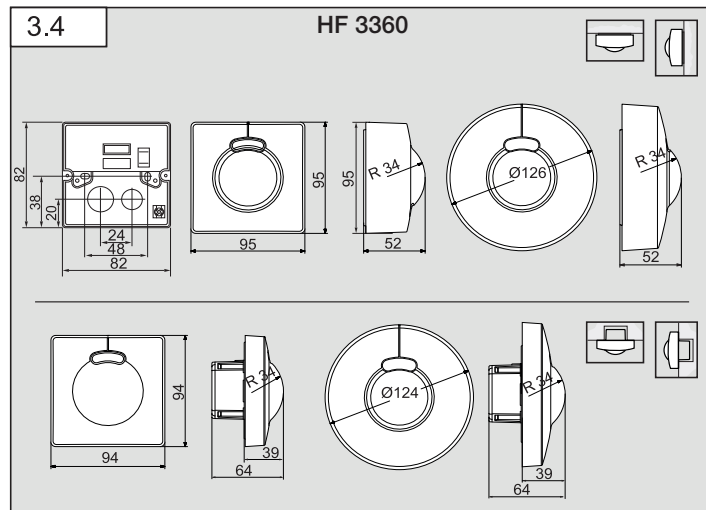
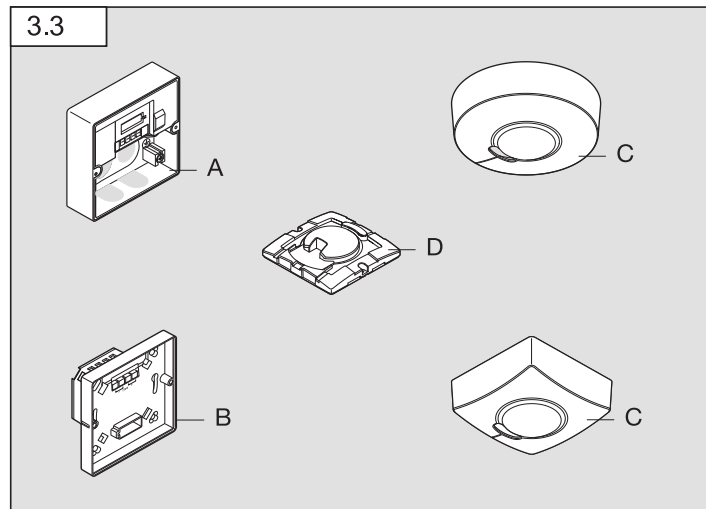
Information
HF 3360



GB... 10 Follow written instructions!

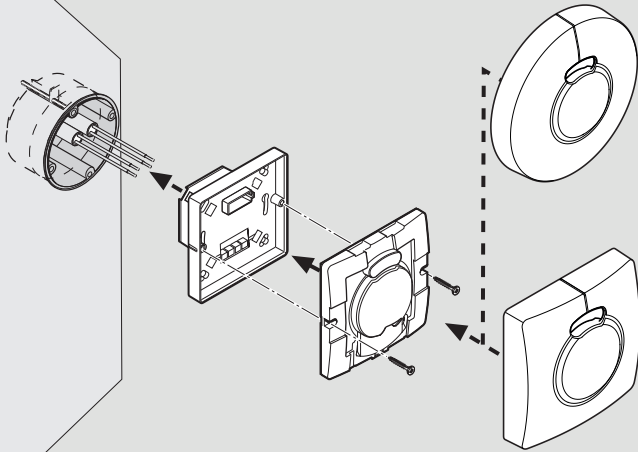
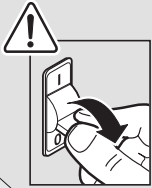


2

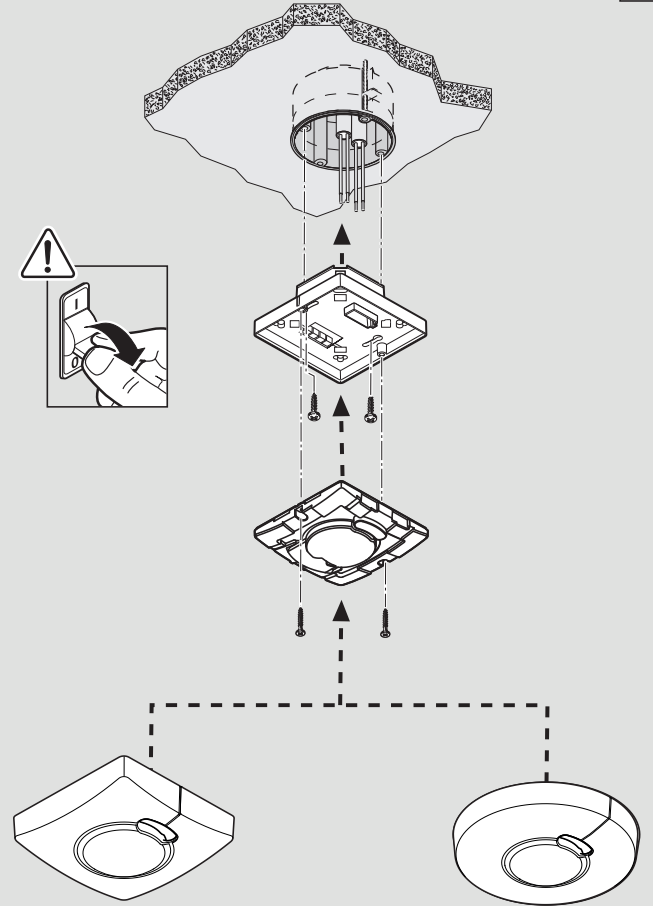
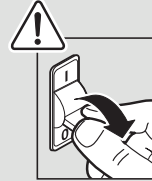


3

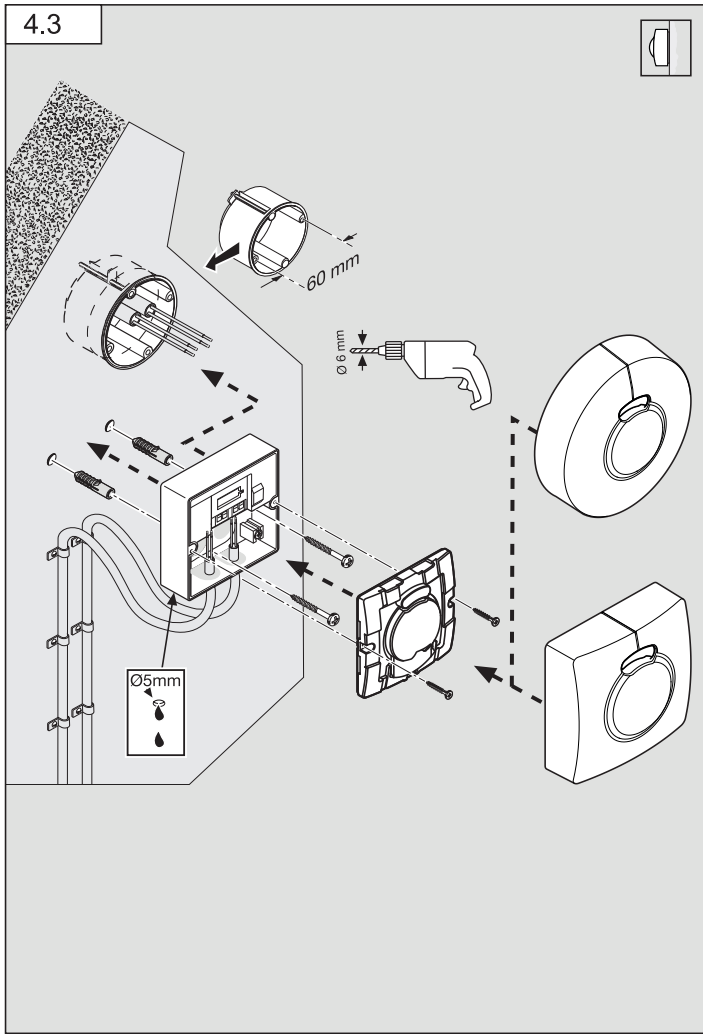
4.1



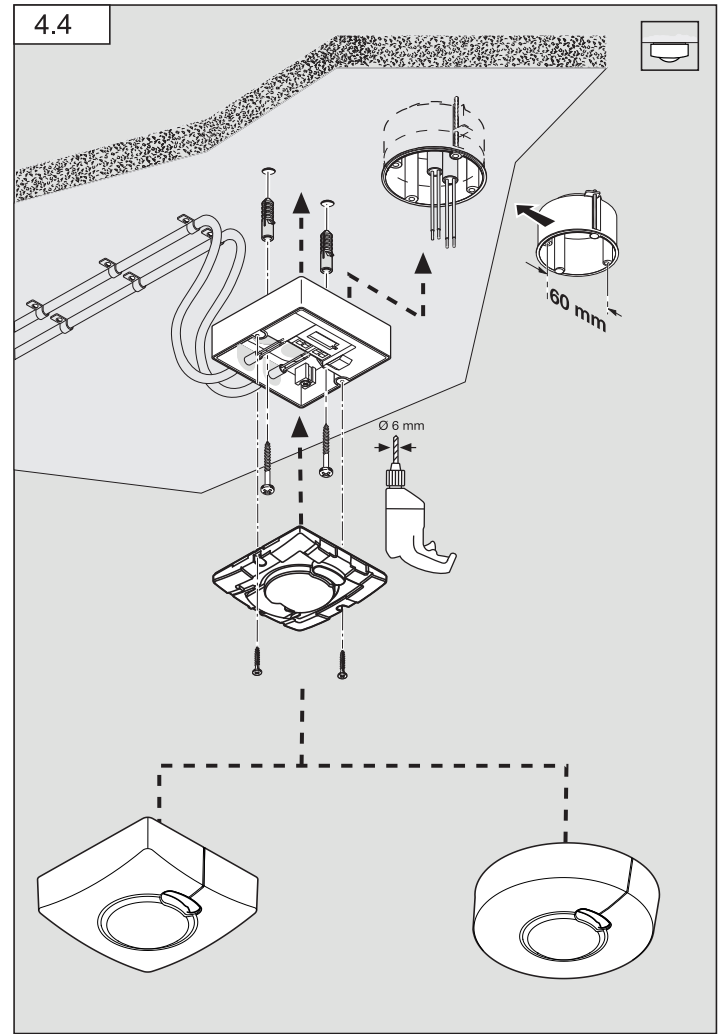
4.2



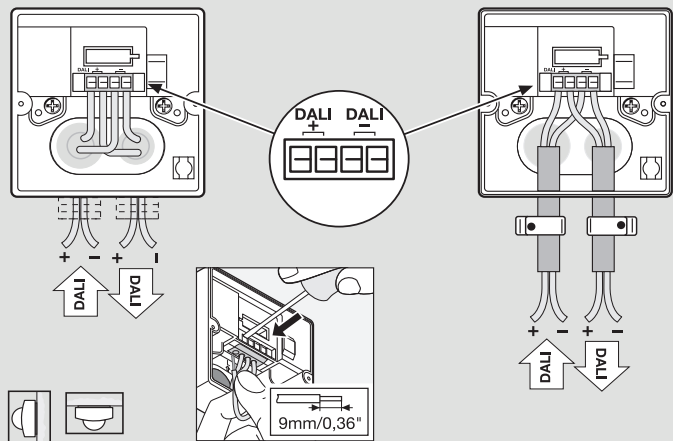
4.3



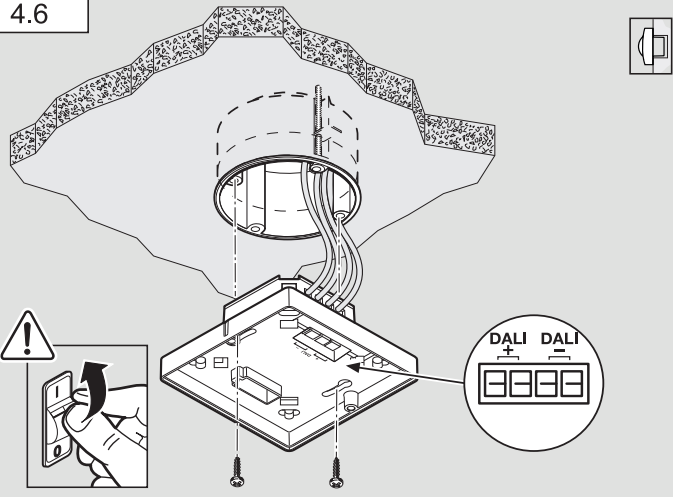
4.4



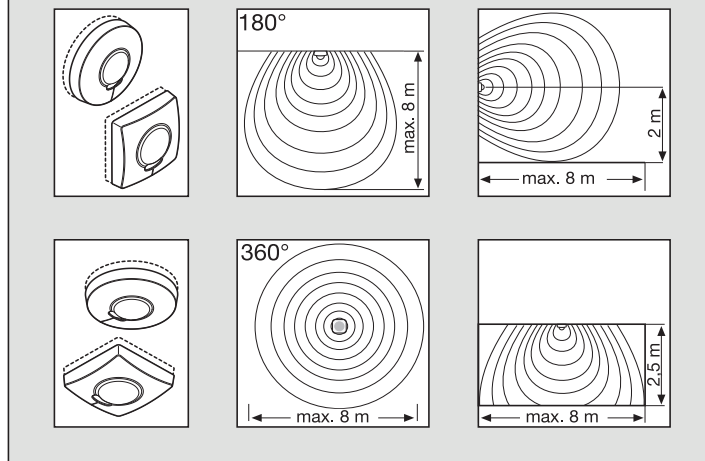
4.5



4.6



4.7



1. About this document

- Please read carefully and keep in a safe place.
- Under copyright.
Reproduction either in whole or in part only with our consent.
- Subject to change in the interest of technical progress.

Symbols



Hazard warning!



Reference to other information in the document.

2. General safety precautions



Disconnect the power supply before attempting any work on the sensor.

- During installation, the electric power cable being connected must not be live. Therefore, switch off the power first and use a voltage tester to make sure the wiring is off-circuit.
- Installing the sensor involves work on the mains power supply. This work must therefore be carried out professionally in accordance with national wiring regulations and electrical operating conditions. (e.g. **DE**-VDE 0100, **AT**-ÖVE-EN 1, **CH**-SEV 1000)

3. HF 3360

Proper use

- Sensor suitable for indoor wall and ceiling-mounting

The HF 3360 is an active motion detector. It responds to the slightest movement regardless of temperature. The integrated HF sensor emits high-frequency electromagnetic waves (5.8 GHz) and receives their echo. In response to the slightest movement in the detection zone, the change in echo is perceived by the sensor and a motion detection message is sent to the bus.

Detection is possible through doors, panes of glass or thin walls.

Package contents for surface-mounted installation (**Fig. 3.1**)

Package contents for concealed installation (**Fig. 3.2**)

Product components (**Fig. 3.3**)

- A** Connection module power supply lead, surface-mounted
- B** Connection module power supply lead, concealed
- C** Designer trim, round or square
- D** Sensor module

Product dimensions

Ceiling / wall mounting / surface-mounted and concealed wiring (**Fig. 3.4**)

4. Electrical installation

For wiring up the motion detectors, the following applies: under section 6 of VDE 0100 520, a multiple-core lead containing both the mains voltage leads and the control leads (e.g. NYM 5 x 1.5) may be used for the wiring between sensor and DALI Application Controller. The lead between DALI Application Controller and sensor must be no longer than 300 m (for 1.5 mm²). After installing and switching ON, the sensor starts to flash once a second.

Surface-mounted installation

If the rubber seal is damaged, the cable entry openings must be sealed with an M16 or M20 (at least IP54) double seal cable gland.

5. Mounting

- Check all components for damage.
- Do not use the product if it is damaged.
- Select an appropriate mounting location, taking the reach and motion detection into consideration.

Installation procedure

Wall-mounting, concealed power supply lead (**Fig. 4.1**)

Ceiling mounting, concealed power supply lead (**Fig. 4.2**)

Wall-mounting, surface-mounted power supply lead (**Fig. 4.3**)

Ceiling mounting, surface-mounted power supply lead (**Fig. 4.4**)

For mounting on the wall, a water drainage hole (Ø 5 mm drill bit) is marked next to the rubber seal. This must be opened if necessary. (**Fig. 4.3**)

An optional corner wall mount is available for mounting the HF 3360. (Prod. no. 035174 white).

- **Switch OFF power supply. (Fig. 4.1)**
- Detach designer trim from sensor module.
- Disconnect sensor module from the connection module.
- Make DALI connection.
 - Surface-mounted power supply lead (Fig. 4.5)
 - Concealed power supply lead (Fig. 4.6)
- Insert fastening screws and mount connection module.
- Fit sensor and connection module together and screw into place
- Switch ON power supply. (Fig. 4.6)
- Fit designer trim.
- **Detection zone / reach (Fig. 4.7)**

6. Function / operation

Once you have connected the unit, closed the housing and fitted the lens, you are ready to put the system into operation.

The sensor is put into operation in accordance with the applicable DALI 2 standard. All functions and commands are available from DALI standard IEC 62386 Part 101, Part 103, Part 303 and Part 304. The motion detection values and light levels measured by the sensor can be requested from the DALI Application Controller. Automatic or time-based cyclical transmission can also be selected.

You will find detailed information in the interface description on the Internet at: www.DALI-2.steinel.de

7. Maintenance / care

The product requires no maintenance.

The sensor is suitable for switching on a light automatically. The unit is not suitable for burglar alarm systems as it is not tamperproof in the manner prescribed for such systems. The surface can be cleaned with a damp cloth (without detergents) if dirty.

8. Disposal

Electrical and electronic equipment, accessories and packaging must be recycled in an environmentally compatible manner.



Do not dispose of electrical and electronic equipment as domestic waste.

EU countries only:

Under the current European Directive on Waste Electrical and Electronic Equipment and its implementation in national law, electrical and electronic equipment no longer suitable for use must be collected separately and recycled in an environmentally compatible manner.

9. EC Declaration of Conformity

STEINEL Vertrieb GmbH hereby declares that the HF 3360 radio equipment type conforms to Directive 2014/53/EU. The full wording of the EU Declaration of Conformity is available for downloading from the following Internet address: <http://www.steinel.de>

10. Manufacturer's Warranty

As purchaser, you are entitled to your statutory rights against the vendor. If these rights exist in your country, they are neither curtailed nor restricted by our Warranty Declaration. We guarantee that your STEINEL Professional sensor product will remain in perfect condition and proper working order for a period of 5 years. We guarantee that this product is free from material-, manufacturing- and design flaws. In addition, we guarantee that all electronic components and cables function in the proper manner and that all materials used and their surfaces are without defects.

Making Claims


If you wish to make a claim, please send your product complete and carriage paid with the original receipt of purchase, which must show the date of purchase and product designation, either to your retailer or contact us at **STEINEL (UK) Limited, 25 Manasty Road, Axis Park, Orton Southgate, Peterborough, PE2 6UP**, for a returns number. For this reason, we recommend that you keep your receipt of purchase in a safe place until the warranty period expires. STEINEL shall assume no liability for the costs or risks involved in returning a product.

For information on making claims under the terms of the warranty, please go to www.steinel-professional.de/garantie

If you have a warranty claim or would like to ask any question regarding your product, you are welcome to call us at any time on our Service Hotline **01733 366700**.

5 YEAR
MANUFACTURER'S
WARRANTY

11. Technical specifications

Dimensions (L × W × H)	Surface-mounted installation, round Ø	126 × 52 mm
	Surface-mounted installation, square	95 × 95 × 52 mm
	Concealed installation, round Ø	124 × 64 mm
	Concealed installation, square	94 × 94 × 64 mm
Power consumption	9 mA / 5 DALI users, 12-22.5 V  , no SELV	
DALI interface	DALI control line (multi-master capability for communication with the DALI Application Controller/DALI sensor)	
Angle of coverage	360° with 180° angle of aperture	
Application	inside buildings	
Sensor system	5.8 GHz high frequency	
Transmitter power	approx. 1 mW	
Brightness measurement	2-1000 lux	
IP rating	Surface-mounted: IP54	Concealed: IP20
Temperature range	-20°C to +50°C	
Mounting height	2-2.8m	

12. Troubleshooting

Malfunction	Cause	Remedy
No power at the sensor	■ Break in DALI wiring	■ Check DALI wiring with voltage tester
	■ Short circuit	■ Check connections
Sensor sending motion detection signal when it should not	■ Animals moving in detection zone	■ Adjust zone or fit shrouds
	■ Wind is moving paper or plants in the detection zone	■ Change detection zone
	■ Sensor near Wi-Fi or other wireless communication source	■ Install at least 2 m away from the wireless communication source